

SEAL-TITE™ CORNER SEAL KIT

Pressure sensitive elastomer with fleece-back lining

This Corner Seal Kit was designed to provide you with everything you need to seal RV walls and ceilings and contains enough Corner Seal for 100 Linear Feet. Corner Seal provides a durable, flexible, virtually impermeable seal between the exposed union of walls and ceilings. The high-tack adhesive side contains flexible elastomer that create a strong flexible bond, while the fleece side allows for easy repositioning during installation.

In addition to the Corner Seal Tape, 6 Tubes of Dicor Cap Sealant are provided to act as conventional putty and cap sealant along with a putty knife to remove excess sealant and a spray bottle to be used in the cleanup process.

How to Apply Seal-Tite Corner Seal

Step 1: Begin by carefully removing the insert trim, screws and molding from the area to be sealed. Do not bend or kink the molding as it will be needed in subsequent steps.

Step 2: Carefully scrape away and remove all conventional putty and sealants on the inside of the corner molding.

Step 3: Clean the area on the RV where the Corner Seal will be applied, first with soapy water and then with denatured alcohol on a clean cloth.

Step 4: Replace any rusty or damaged staples in the corner area to ensure the structure is held together as tightly as possible.

Step 5: To ensure that Corner Seal is applied as accurately, temporarily hold the cleaned molding on the RV corner being repaired and carefully mark the wall along the edge of the molding with a pencil to form a guideline. Set corner molding aside.

Step 6: Apply Corner Seal from the top of the seam down to the bottom following the pencil guideline from step 5 pressing firmly to make sure the tape conforms to the siding. See Fig. A.

Step 7: Place a 1/2 inch bead of Cap Sealant along the inside of corner molding. See Fig. B.

Step 8: Inspect and replace any rusty screws or damaged molding to ensure a tight seal. Replace the corner molding and insert screws. Tighten screws until the sealant just begins to ooze out from under the edges of the corner molding. Do not overtighten screws. See Fig. C.

Step 9: Clean the Cap Sealant from edges of molding using the putty knife. See Fig. D

Step 10: Apply a small finishing bead of Cap Sealant to the exterior seams of the molding. Using clean water, fill the spray bottle. Mist the finishing bead of sealant and tool smooth using a clean wet cloth.

Step 11: Re-install insert trim from first step.

IN THE BOX

- 2 rolls Corner Seal Tape
- 6 tubes Dicor Cap Sealant
- 1 putty knife
- 1 spray bottle
- Instructions



Missing Parts? Call 574-264-2699

*Not suitable for EPDM or TPO membranes

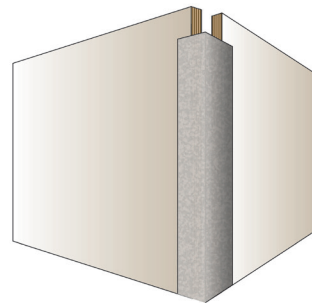


Fig. A

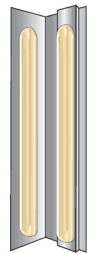


Fig. B

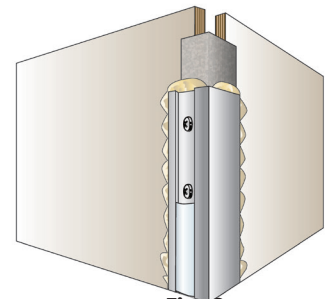


Fig. C

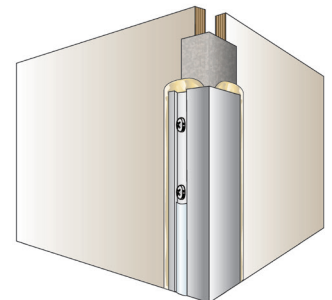


Fig. D



Watch our instructional video at
www.sealdesignllc.com/videos-5